

Installation of Frit in Guardfilter Holder

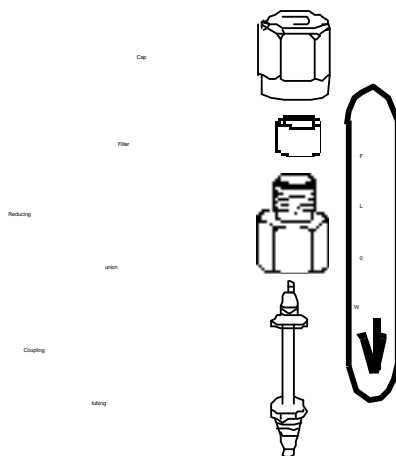


Figure 1

1. Unscrew the cap from the reducing union of the guardfilter holder (10mm I.D. x 2.6cm L). Insert one frit (7mm x 4mm) into the reducing union of the frit holder in either direction.
2. Screw the cap onto the reducing union by finger tightening.
3. Insert the coupling tubing into the reducing union.
4. Connect the guardfilter holder to your HPLC system in the direction shown in figure 1.
5. Flow mobile phase through the guardfilter holder to expell all air. Check for leaks and wrench tighten if necessary.
6. Connect your column to the coupling tubing following the installation directions given in your column instruction manual.